

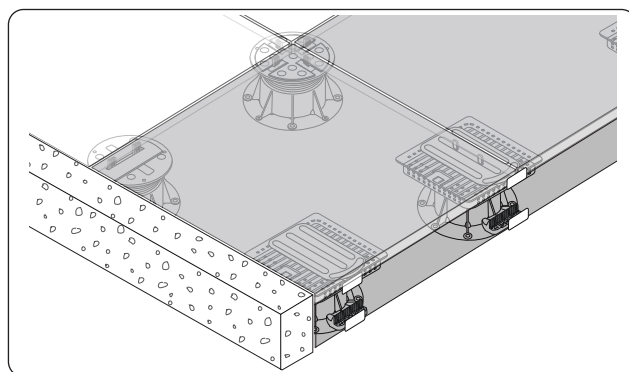
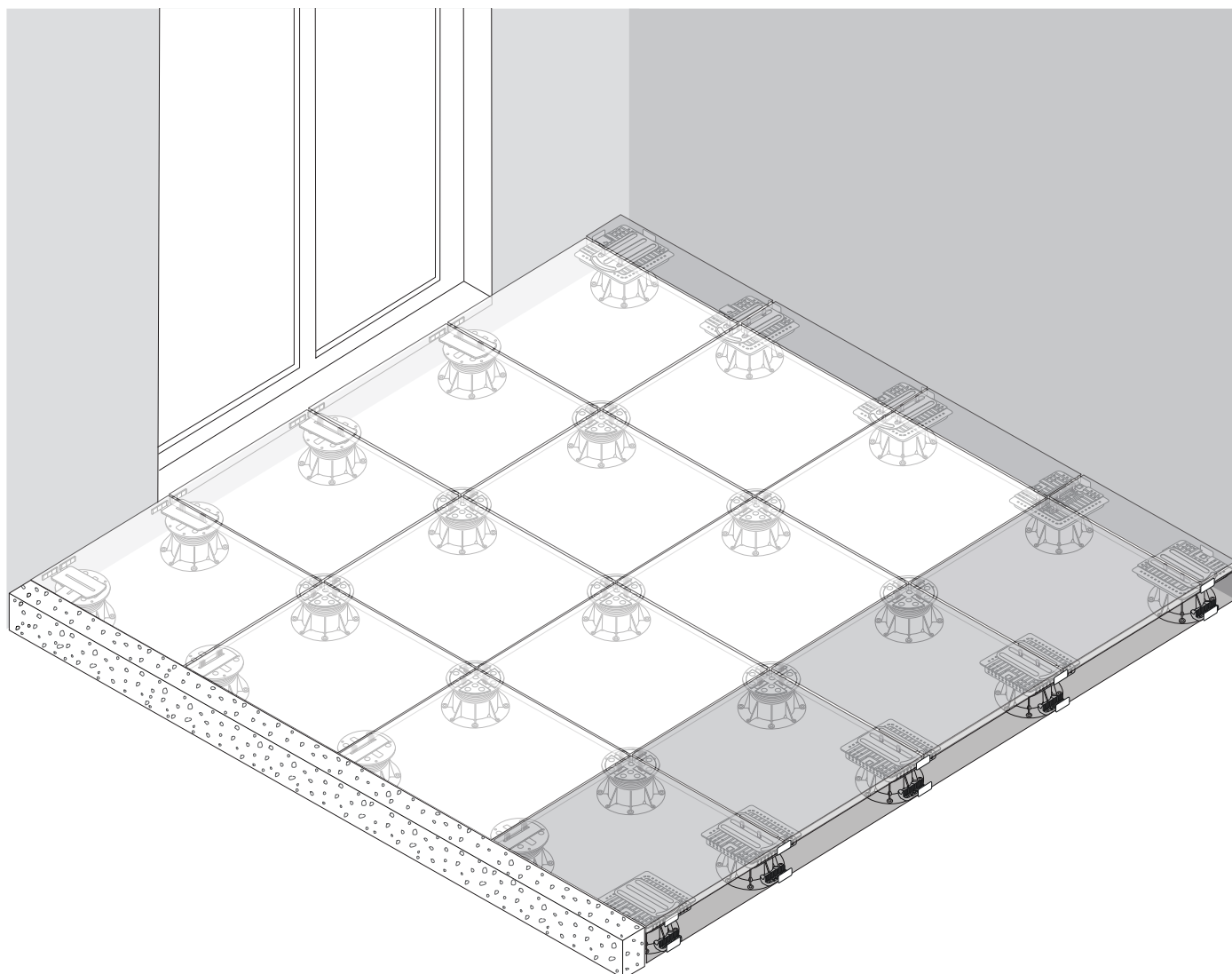


U-TILES Use

PB-Series

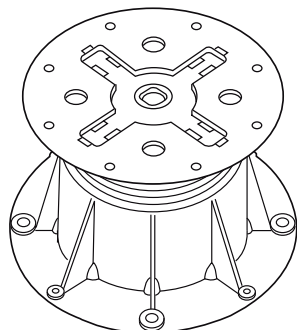
p.1

©copyright, 2020, BUZON PEDESTAL INTERNATIONAL

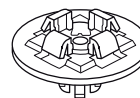


Ref. 16-CNO 78 - Rev.5- 06/11/2020

This is not a contractual document and consists only of a suggestion of use. Subject to error, omission or modification

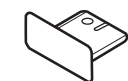
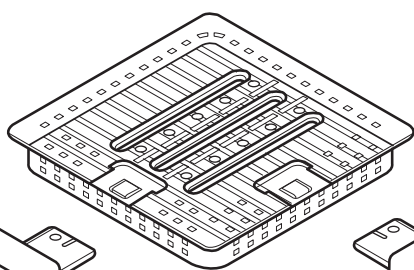


PB-SERIES



PB-KIT-8

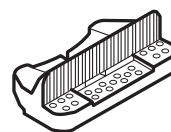
U-TILES



U-END-LOCK

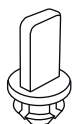


U-END-LOCK

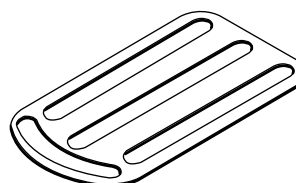


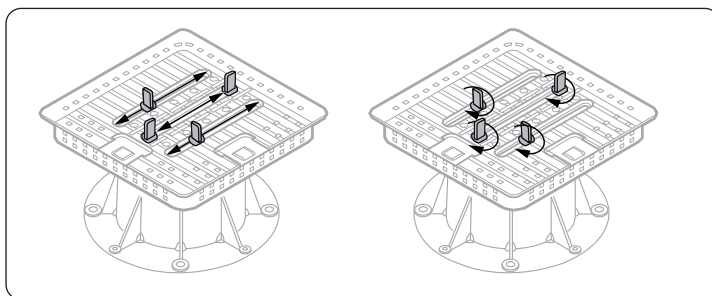
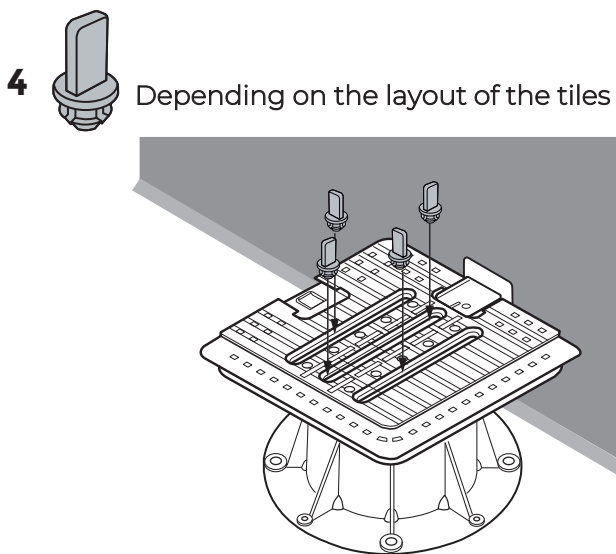
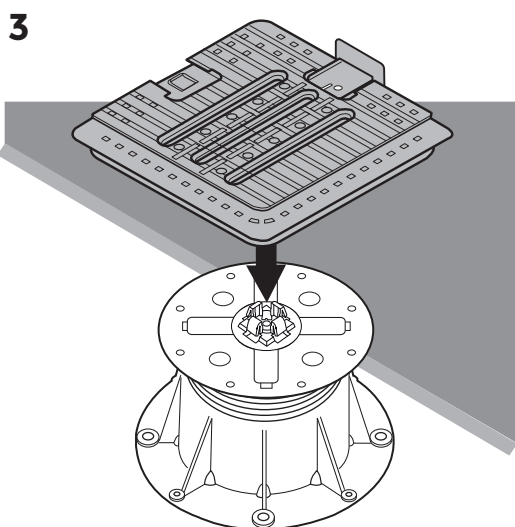
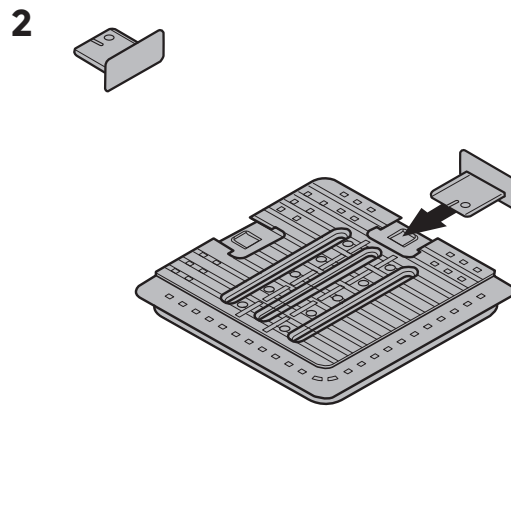
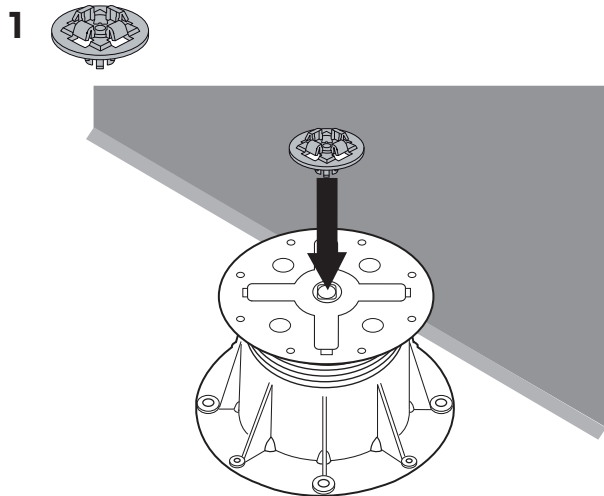
U-END-BASE

**U-TABS 2 - 3 - 4,5mm
H17MM**

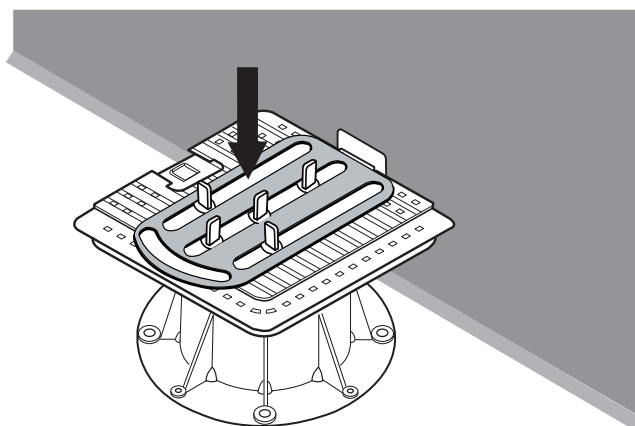
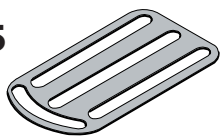


**U-E20-EDGE / U-E10-EDGE
2MM / 1MM**

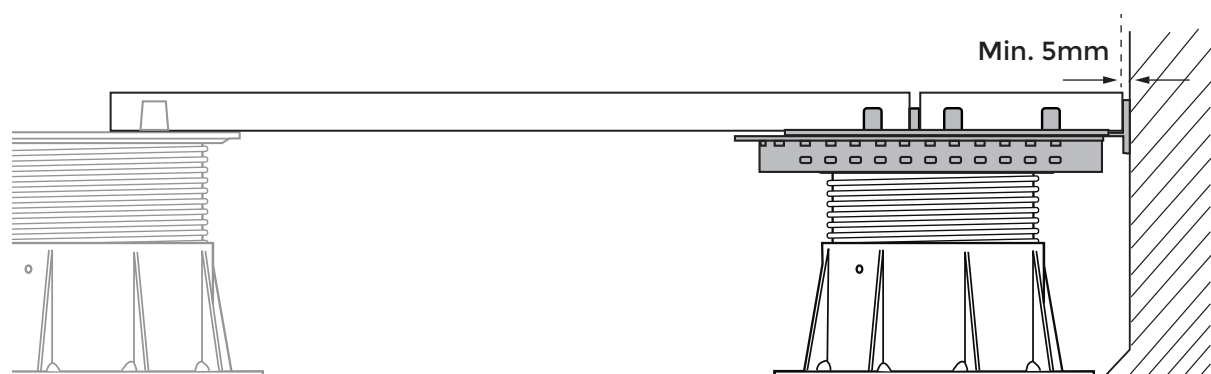
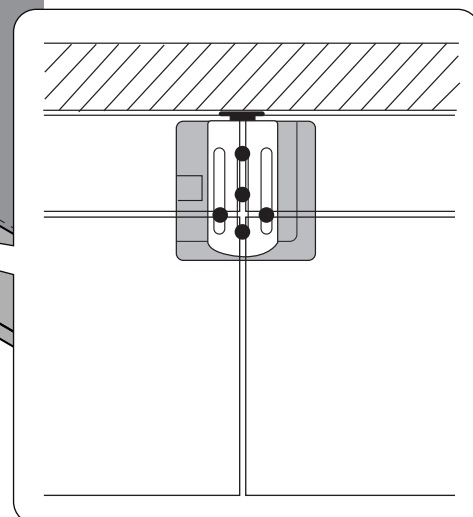
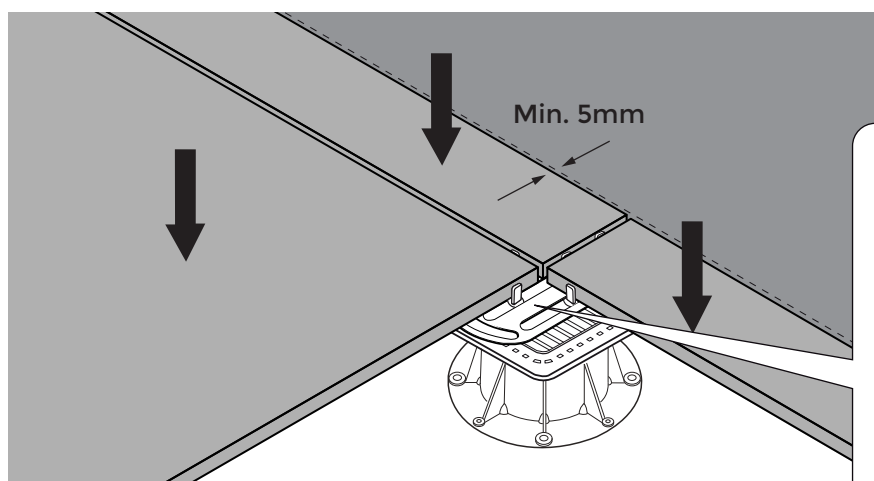


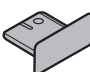


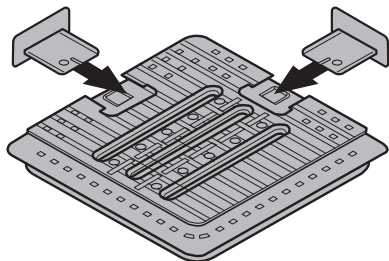
5



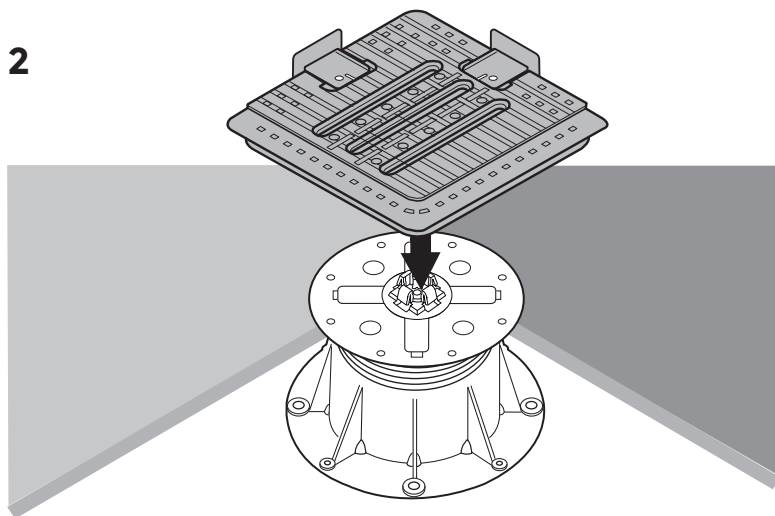
6



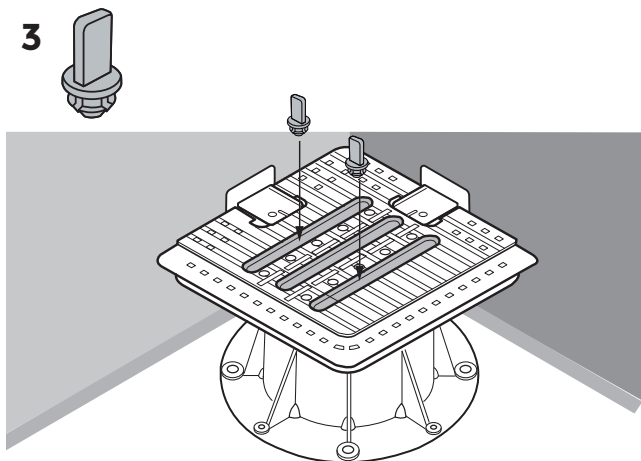
1  x2



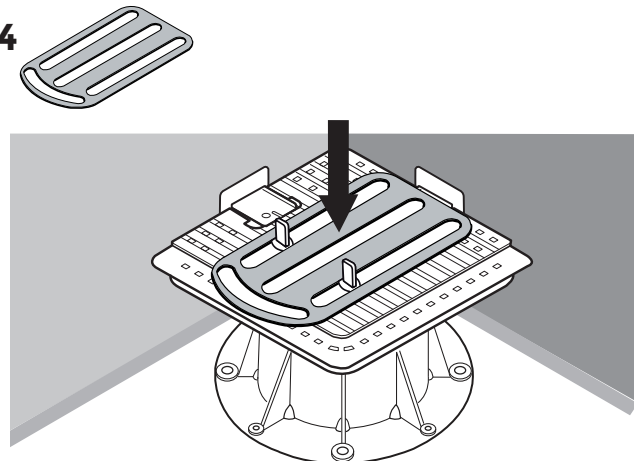
2



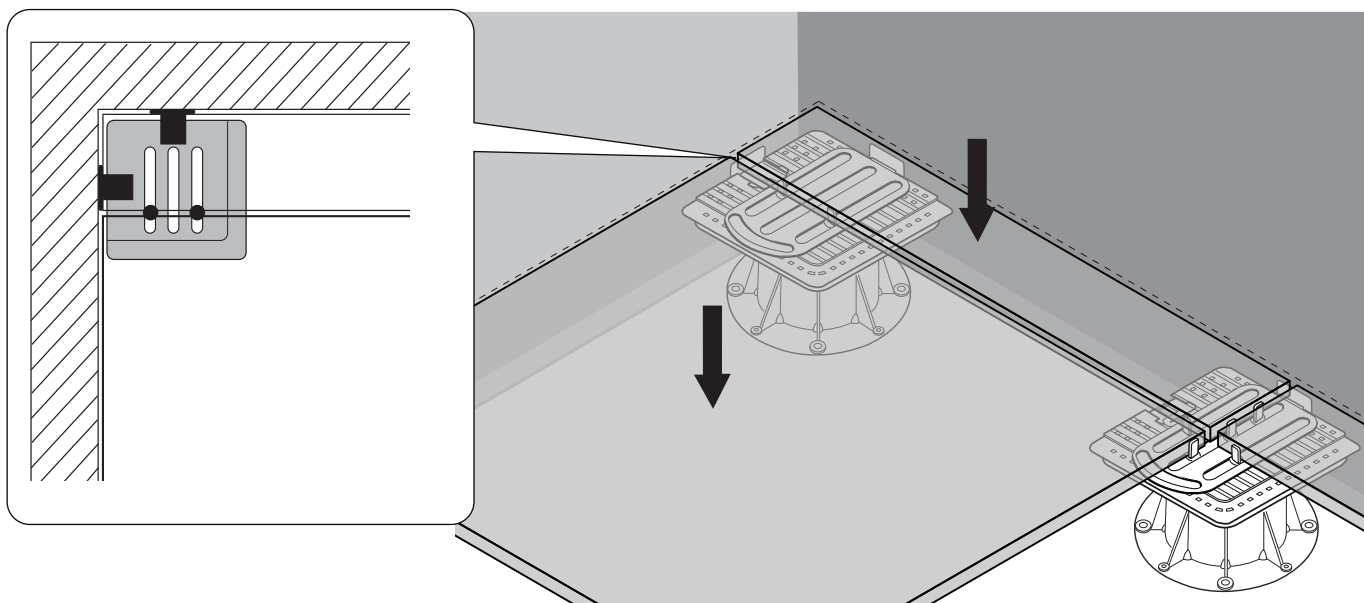
3



4



5





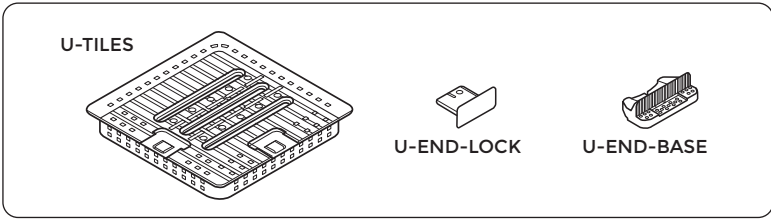
U-TILES

Use with a plinth

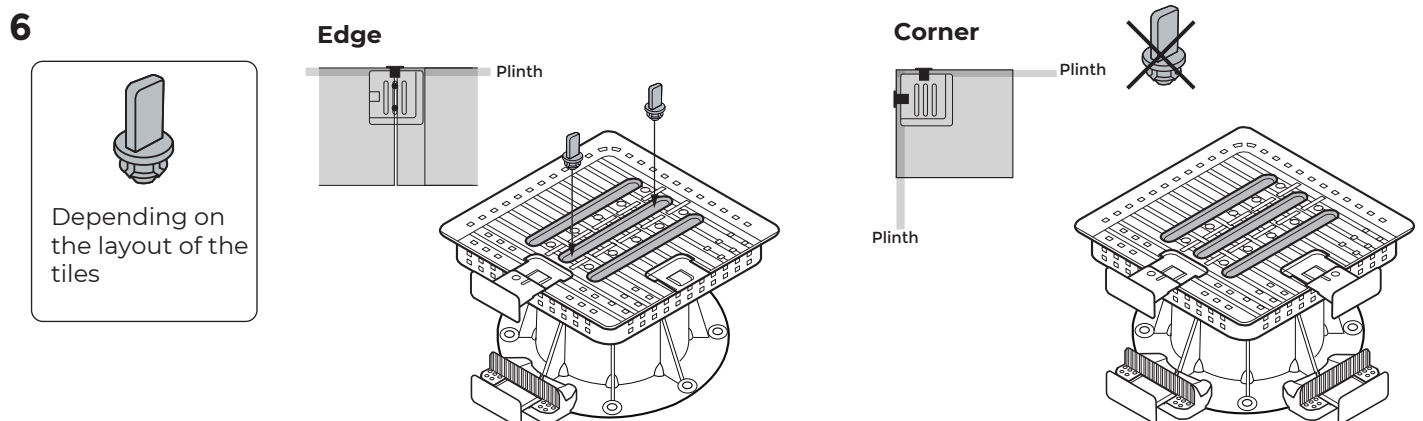
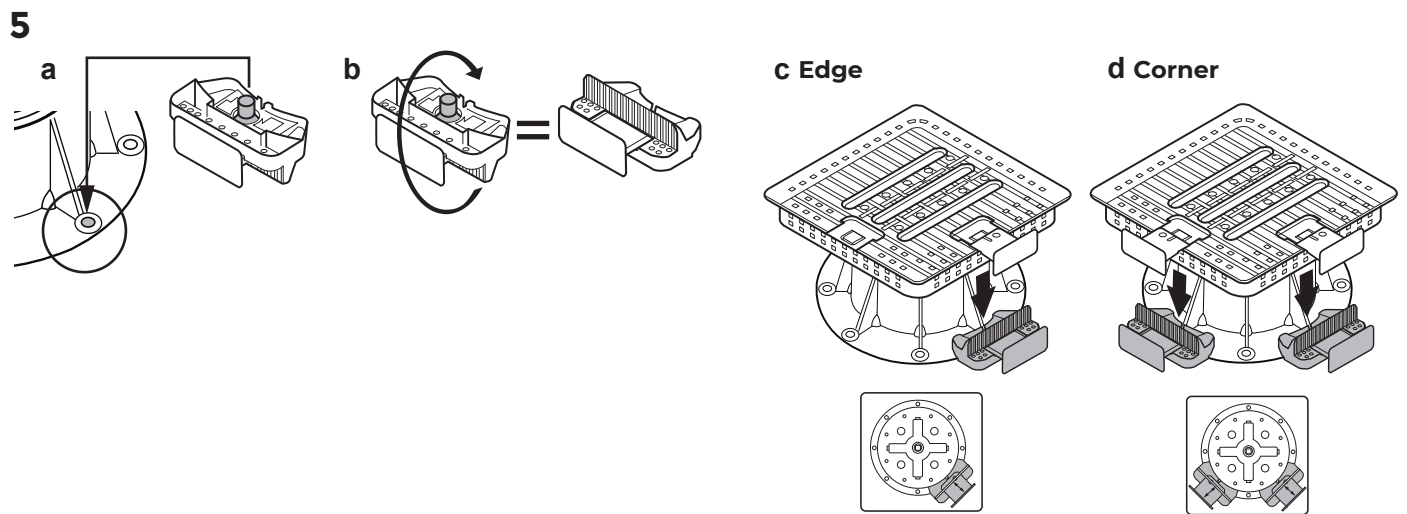
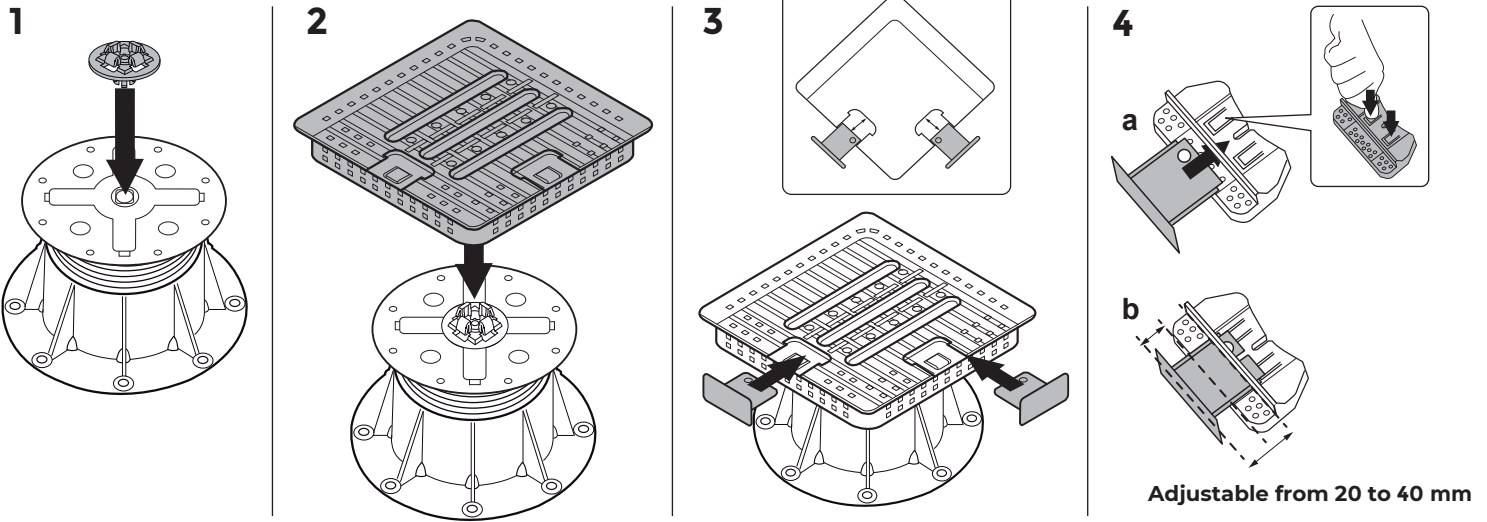
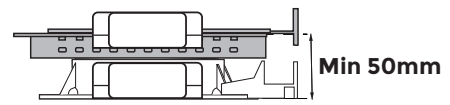
PB-Series

p.6

©copyright, 2019, BUZON PEDESTAL INTERNATIONAL



U-Tiles can be used from PB-1 pedestals measuring min. 50 mm



Ref. 16-CNO 78 - Rev.4-27/07/2020



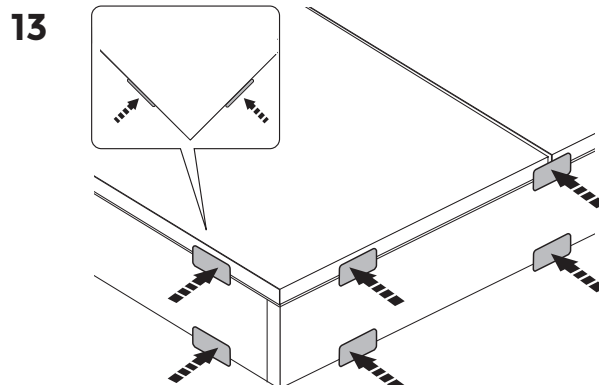
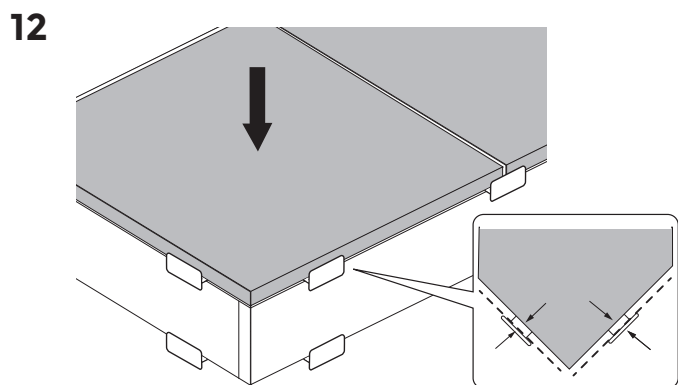
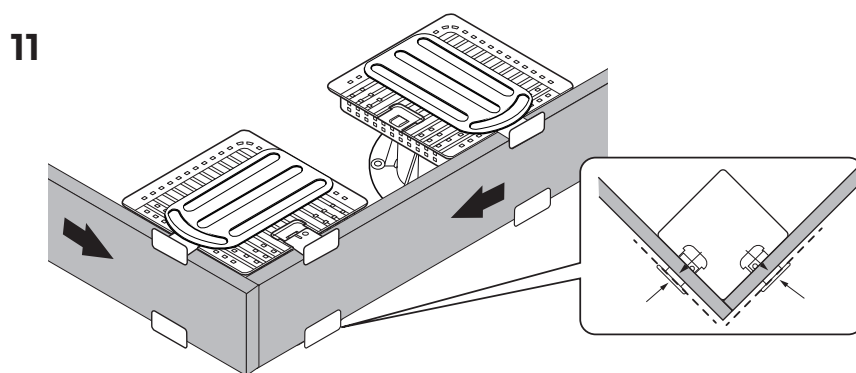
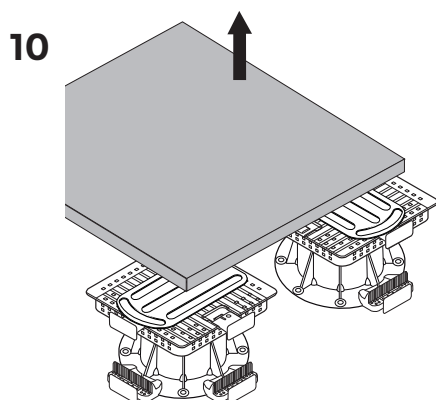
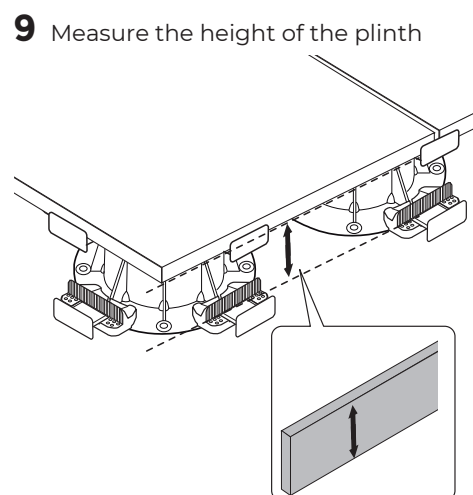
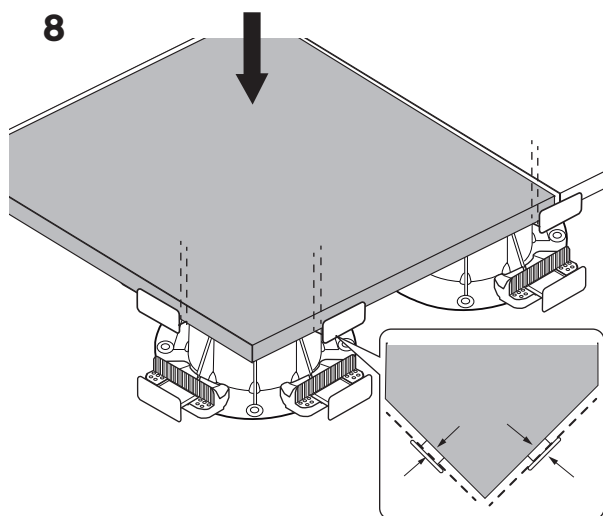
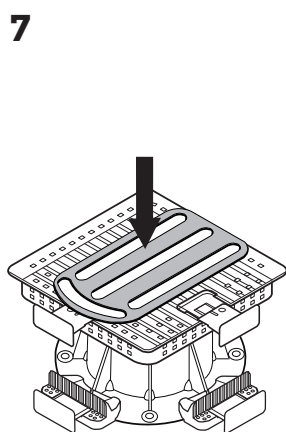
U-TILES

Use with a plinth

PB-Series

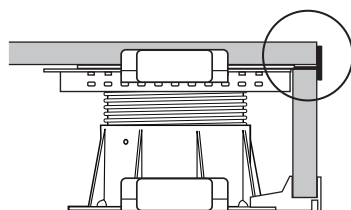
p.7

©copyright, 2020, BUZON PEDESTAL INTERNATIONAL

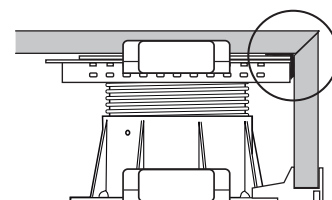
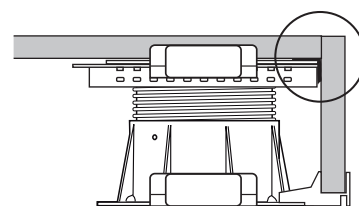
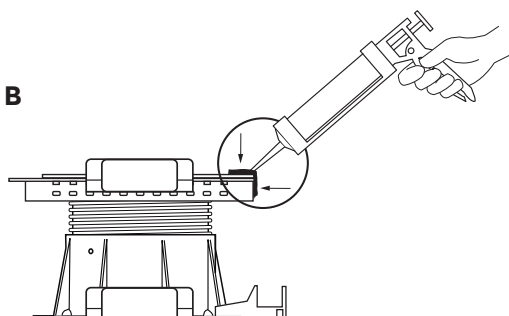


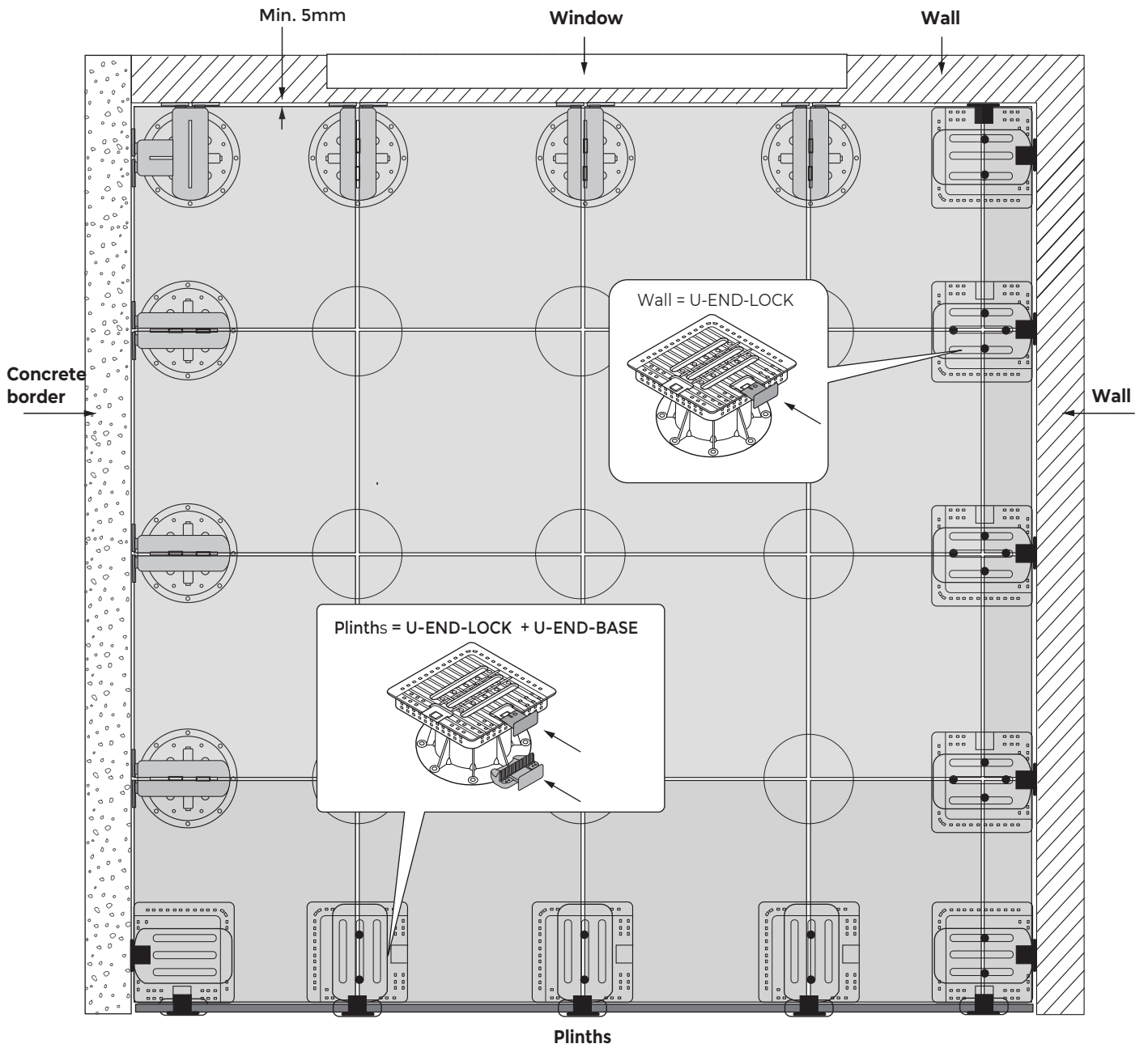
Uses

A U-END-LOCK



B





Examples

