



Technical Data Sheet

U-PAD GROUND 3mm Protection layer

COMPONENTS

The U-PAD GROUND is composed of 1 piece.

CHARACTERISTICS

Thickness of the pads: 3 mm

Dimensions: 200 x 200 x 3 mm

Weight: 0,072 kg

Weight/ m²: 2,18 kg/ m²

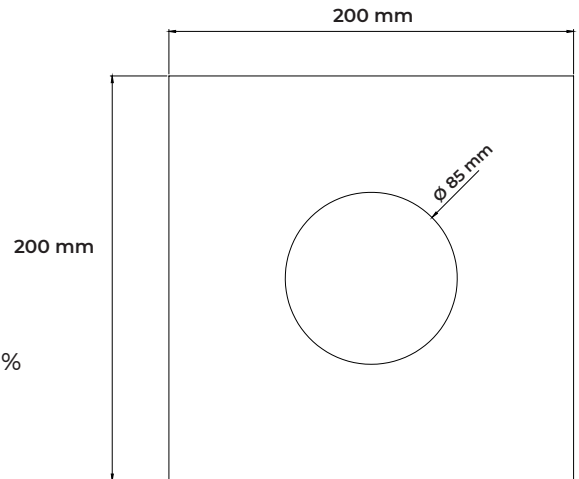
Material: Coated PU rubber granulate

Tension under pressure: 0,55 N/mm² (55 T/m²) for a deformation of 25 %
(following DIN EN ISO 3386/2)

Building material class: E following EN 13501-1

Plasticizer migration: When laying on membranes that are not compatible with rubber, there is a risk of migration of plasticizers

Temperature range: -40 °C to 120 °C



PACKAGING

Packaging U-PAD-GROUND 200 x 100 x 3 mm

Pieces per carton: 24 pcs

Carton weight: 1,72 kg

Carton dimension: 400 x 200 x 40 mm



APPLICATIONS

The **U-PAD Ground** and the **U-TABS FLAT** form a combination of products.

The combination of accessories help to build terraces when the height available under the paver is limited between 3 and 17 mm. The system guarantees a flat terrace with a good distribution of the laying surface.

SAFETY INSTRUCTIONS

Buzon pedestals and accessories are designed to support external raised floors for pedestrian traffic only and are not designed to support or be subjected to moving and/or vibrating machinery & equipment, including maintenance, cleaning vehicles, automobiles and other similar equipment.





Technical Data Sheet

U-PAD GROUND 6mm Protection layer

COMPONENTS

The U-PAD GROUND is composed of 2 pieces.

CHARACTERISTICS

Thickness of the pads: 6 mm

Dimensions: 200 x 200 x 6 mm

Weight: 0,18 kg

Weight/ m²: 4,35 kg/ m²

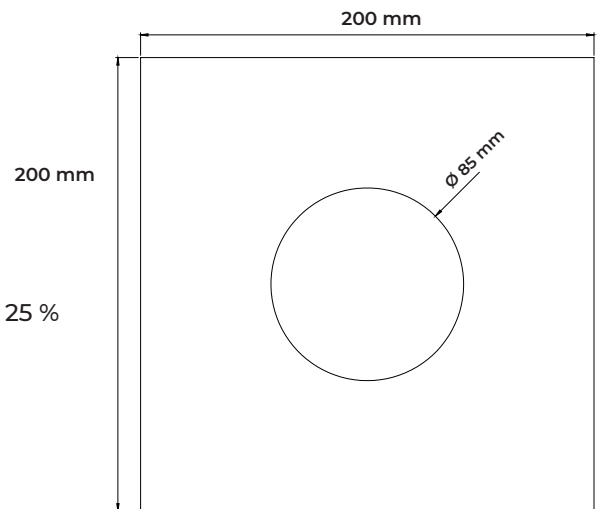
Material: Coated PU rubber granulate

Tension under pressure: 0,55 N/mm² (55 T/m²) for a deformation of 25 %
(following DIN EN ISO 3386/2)

Building material class: E following EN 13501-1

Plasticizer migration: When laying on membranes that are not compatible with rubber, there is a risk of migration of plasticizers

Temperature range: -40 °C to 120 °C



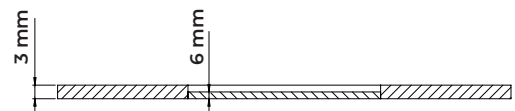
PACKAGING

Packaging U-PAD-GROUND 200 x 100 x 6 mm

Pieces per carton: 24 pcs

Carton weight: 4,32 kg

Carton dimension: 400 x 200 x 77 mm



APPLICATIONS

The **U-PAD Ground** and the **U-TABS FLAT** form a combination of products.

The combination of accessories help to build terraces when the height available under the paver is limited between 3 and 17 mm. The system guarantees a flat terrace with a good distribution of the laying surface.

SAFETY INSTRUCTIONS

Buzon pedestals and accessories are designed to support external raised floors for pedestrian traffic only and are not designed to support or be subjected to moving and/or vibrating machinery & equipment, including maintenance, cleaning vehicles, automobiles and other similar equipment.





Technical Data Sheet

U-PAD GROUND 10mm Protection layer

COMPONENTS

The U-PAD GROUND is composed of 2 pieces.

CHARACTERISTICS

Thickness of the pads: 10 mm

Dimensions: 200 x 200 x 10 mm

Weight: 0,29 kg

Weight/ m²: 7,25 kg/ m²

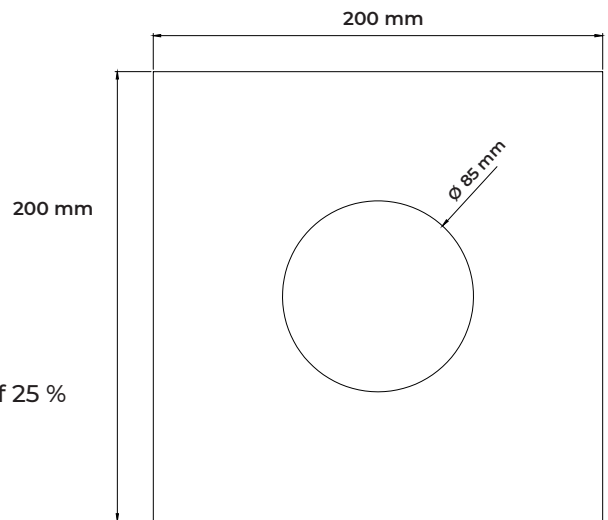
Material: Coated PU rubber granulate

Tension under pressure: 0,55 N/mm² (55 T/m²) for a deformation of 25 %
(following DIN EN ISO 3386/2)

Building material class: E following EN 13501-1

Plasticizer migration: When laying on membranes that are not compatible with rubber, there is a risk of migration of plasticizers

Temperature range: -40 °C to 120 °C



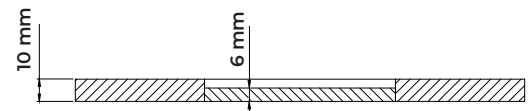
PACKAGING

Packaging U-PAD-GROUND 200 x 100 x 10 mm

Pieces per carton: 24 pcs

Carton weight: 6,96 kg

Carton dimension: 400 x 200 x 125 mm



APPLICATIONS

The **U-PAD Ground** and the **U-TABS FLAT** form a combination of products.

The combination of accessories help to build terraces when the height available under the paver is limited between 3 and 17 mm. The system guarantees a flat terrace with a good distribution of the laying surface.

SAFETY INSTRUCTIONS

Buzon pedestals and accessories are designed to support external raised floors for pedestrian traffic only and are not designed to support or be subjected to moving and/or vibrating machinery & equipment, including maintenance, cleaning vehicles, automobiles and other similar equipment.

